

MCM 20/50 kanalhjul avloppspump GEN1

Artikelnr	Beteckning	Beskrivning
104172	MCM 20/50:1,5/1x230/G65	MCM 20/50 kanalhjul avloppspump GEN1

Installation		Övrigt	
Styrning	Nivåvipa	Max Tryck	18 mVp
Anslutning	G65 inv	Max Flöde	900 l/min

Elektrisk Data	
Effekt	1,50 kW
Märkström	10,5 A
Spänning	1x230



Pedrollo MC Kanalhjul Avloppspump

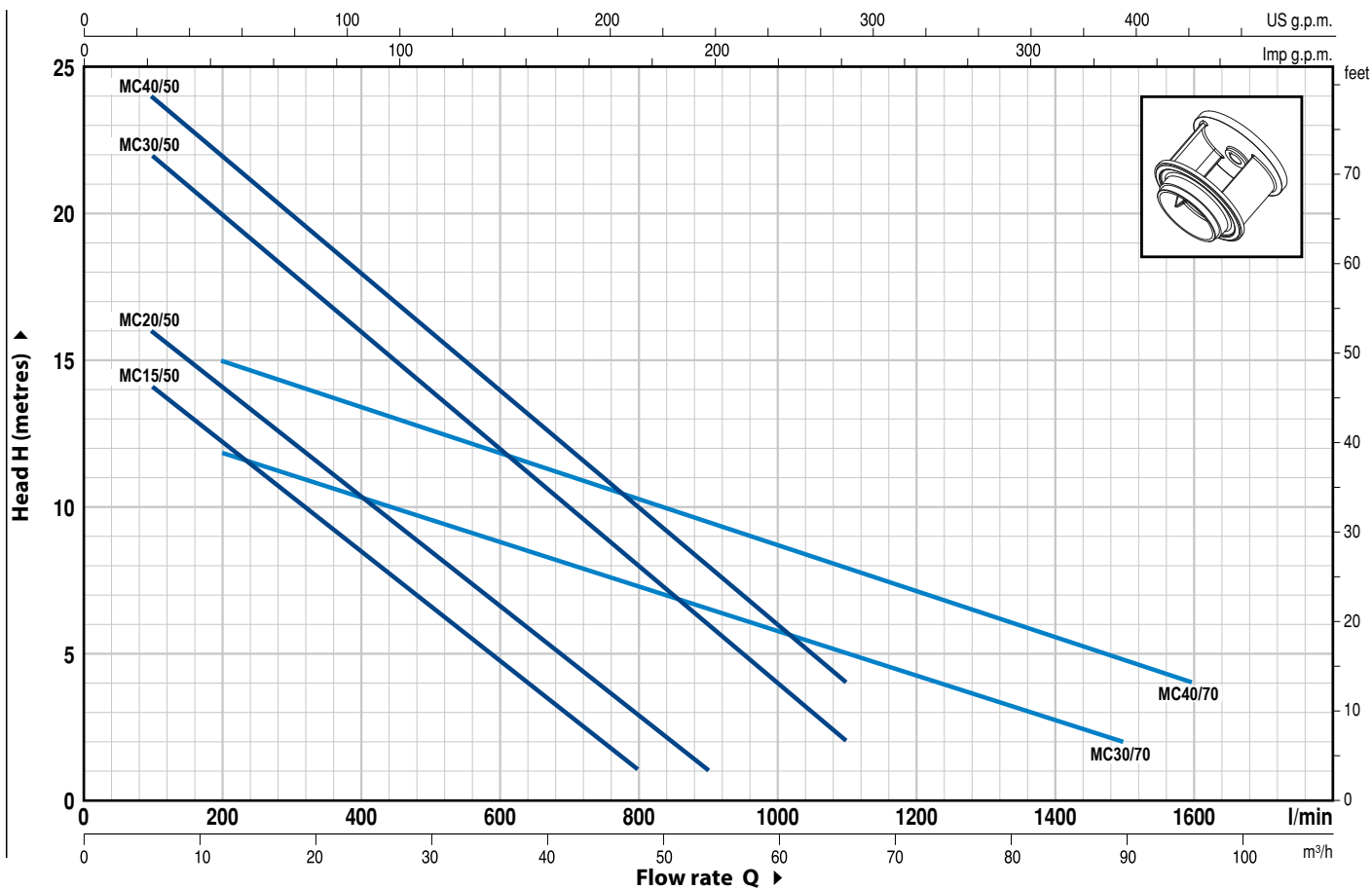
PEDROLLO MC är en serie högeffektiva, dränkbara avloppspumpar med konstruktion i gjutjärn. Pumpen har inbyggd vipa för automatisk start och stopp.

Kanalhjul säkerställer problemfri hantering av svart-, BDT-, grå- och dränvatten med fritt genomlopp på upp till 50 mm som tillåter passage av stora partiklar, samtidigt som man bibehåller hög effektivitet.

MC-serien lämpar sig väl till pumpning från dräneringsbrunn, parkeringshus och andra avloppsapplikationer som kräver större flöde.

Dubbla axeltätning i kiselkarbid säkerställer en lång livslängd.

- Stort genomlopp – Stora partiklar.
- Genomgående konstruktion i gjutjärn.
- Tillverkad i Italien.



MODEL		POWER		Q	Flow rate																	
Single-phase	Three-phase	kW	HP		m ³ /h	0	6	12	18	24	30	36	42	48	54	60	66	72	84	96		
				H metres	l/min	0	100	200	300	400	500	600	700	800	900	1000	1100	1200	1400	1600		
MCm 15/50	MC 15/50	1.1	1.5		H metres	16	14	12.5	10.5	8.5	6.5	4.5	3	1								
MCm 20/50	MC 20/50	1.5	2	18		16	14	12.5	10.5	8.5	6.5	5	3	1								
MCm 30/50	MC 30/50	2.2	3	24		22	20	18	16	14	12	10	8	6	4	2						
-	MC 40/50	3	4	25		24	22	20	18	16	14	12	10	8	6	4						
MCm 30/70	MC 30/70	2.2	3	13		-	12	11	10.5	9.5	8.5	8	7.5	6.5	6	5	4.5	3	2			
-	MC 40/70	3	4	17		-	15	14	13.5	12.5	12	11	10.5	9.5	8.5	8	7	5.5	4			

Q = Flow rate H = Total manometric head

Tolerance of characteristic curves in compliance with EN ISO 9906 App. A.

POS. COMPONENT CONSTRUCTION CHARACTERISTICS

1	PUMP BODY	Cast iron, with threaded port in compliance with ISO 228/1
2	BASE	Stainless steel AISI 304
3	IMPELLER	Stainless steel AISI 304 DOUBLE-CHANNEL type
4	MOTOR CASING	Cast iron
5	MOTOR CASING PLATE	Cast iron
6	MOTOR SHAFT	Stainless steel AISI 431

7 TWO MECHANICAL SEALS SEPARATED BY AN OIL CHAMBER

Seal Model	Shaft Diameter	Position	Materials		
			Stationary ring	Rotational ring	Elastomer
STA-20	Ø 20 mm	Motor side	Ceramic	Graphite	NBR
STA-19	Ø 19 mm	Pump side	Silicon carbide	Silicon carbide	NBR

8 BEARINGS 6304 ZZ - C3 / 6304 ZZ - C3

9 CAPACITOR

Pump	Capacitance
Single-phase	(230 V or 240 V)
MCm 15/50	31.5 µF 450 VL
MCm 20/50	50 µF 450 VL
MCm 30/50	60 µF 450 VL
MCm 30/70	

10 ELECTRIC MOTOR

MCm 15-20: single-phase 230 V - 50 Hz with thermal overload protector built-in to the winding

⇒ **MCm 30:** single-phase 230 V - 50 Hz with thermal overload protector built-in to the winding to be connected to the control box

⇒ **MC:** three-phase 400 V - 50 Hz. with thermal overload protector built-in to the winding to be connected to the control box

- Insulation: F class
- Protection: IP X8

11 POWER CABLE

10 metre long "H07 RN-F" cable

12 CONTROL BOX for MCm 15-20

(only for single-phase versions)

Complete with capacitor and manual reset motor protector

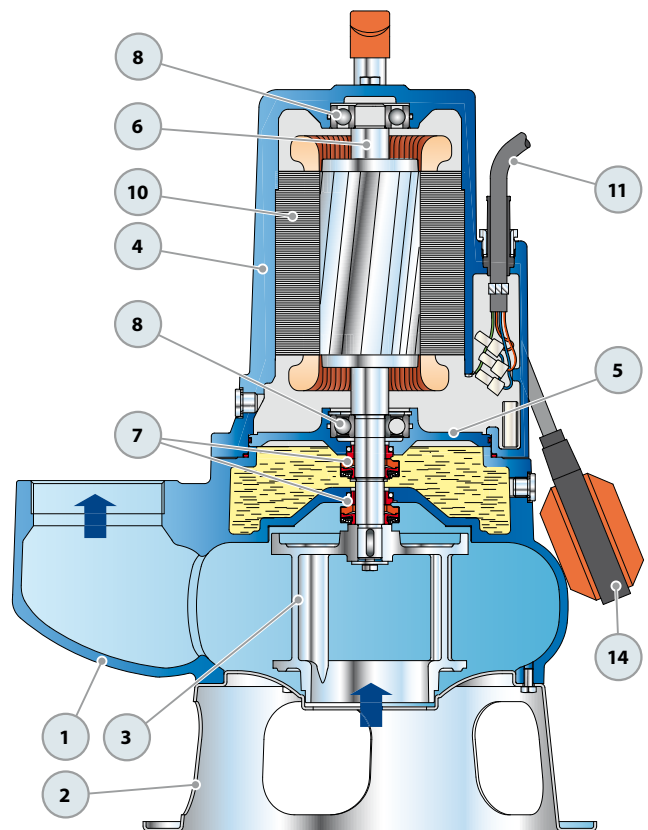
13 CONTROL BOX for MCm 30

(only for single-phase versions)

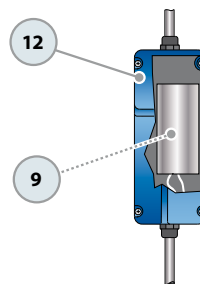
QES 300 MONO series

14 FLOAT SWITCH

(only for single-phase versions)

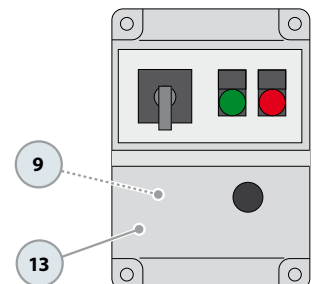


Standard features



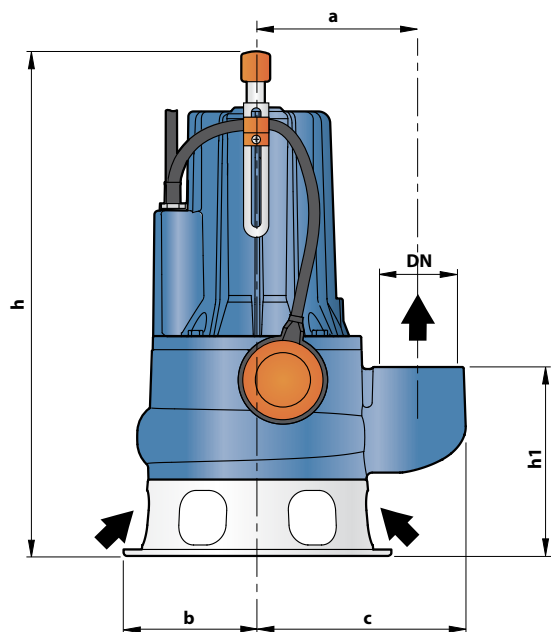
Control box for MCm 15-20 (only for single-phase versions)

Standard features

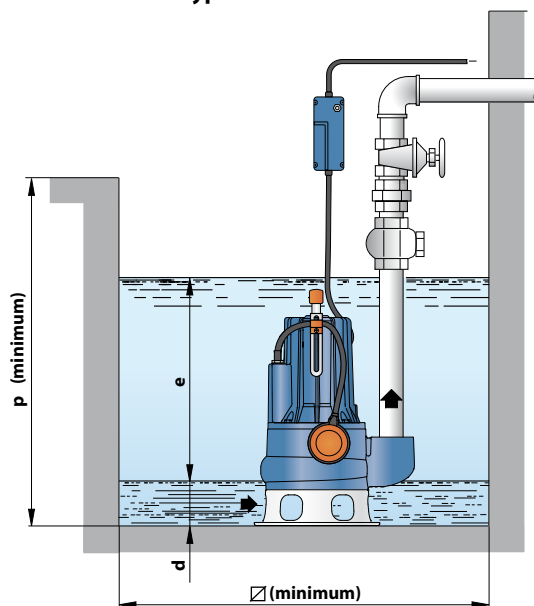


Control box for MCm 30 (only for single-phase versions)

DIMENSIONS AND WEIGHT



Typical installation



MODEL		PORT DN	solids passage	DIMENSIONS mm									kg	
Single-phase	Three-phase			a	b	c	h	h1	d	e	p	Ø	1~	3~
MCm 15/50	MC 15/50	2½"	Ø 50 mm	162	135	210	509	191	75	variable	800	800	36.7	35.4
MCm 20/50	MC 20/50						522/509						37.7	36.4
MCm 30/50	MC 30/50						522						41.9	38.6
-	MC 40/50												-	42.2
MCm 30/70	MC 30/70	3"	Ø 70 mm	180	150	237	562/548	233	85				45.0	41.7
-	MC 40/70						562						-	45.3

ABSORPTION

MODEL	VOLTAGE (single-phase)	
	230 V	240 V
Single-phase	230 V	240 V
MCm 15/50	9.0 A	9.0 A
MCm 20/50	10.5 A	10.5 A
MCm 30/50	15.2 A	15.2 A
MCm 30/70	15.2 A	15.2 A

MODEL	VOLTAGE (three-phase)					
	230 V	400 V	690 V	240 V	415 V	720 V
Three-phase	230 V	400 V	690 V	240 V	415 V	720 V
MC 15/50	5.5 A	3.2 A	1.8 A	5.5 A	3.2 A	1.8 A
MC 20/50	7.4 A	4.3 A	2.5 A	7.4 A	4.3 A	2.5 A
MC 30/50	9.9 A	5.7 A	3.3 A	9.9 A	5.7 A	3.3 A
MC 40/50	13.5 A	7.8 A	4.5 A	13.5 A	7.8 A	4.5 A
MC 30/70	10.2 A	5.9 A	3.4 A	10.2 A	5.9 A	3.4 A
MC 40/70	13.5 A	7.8 A	4.5 A	13.5 A	7.8 A	4.5 A